

ATSB SERIES

Ultra-Thin Torque Sensor



AIDIN ROBOTICS

Features

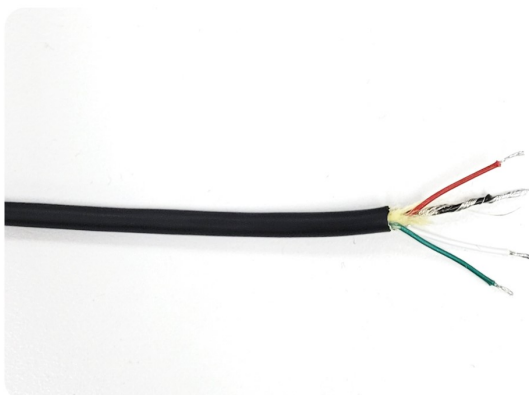
- Ultra-Thin torque sensor
- All-in-one sensor (No additional amplifier)
- Digital output communications (CAN, etc)
- Easy installation and data collection
- Collaborative robot, industry application, automation



Specification table

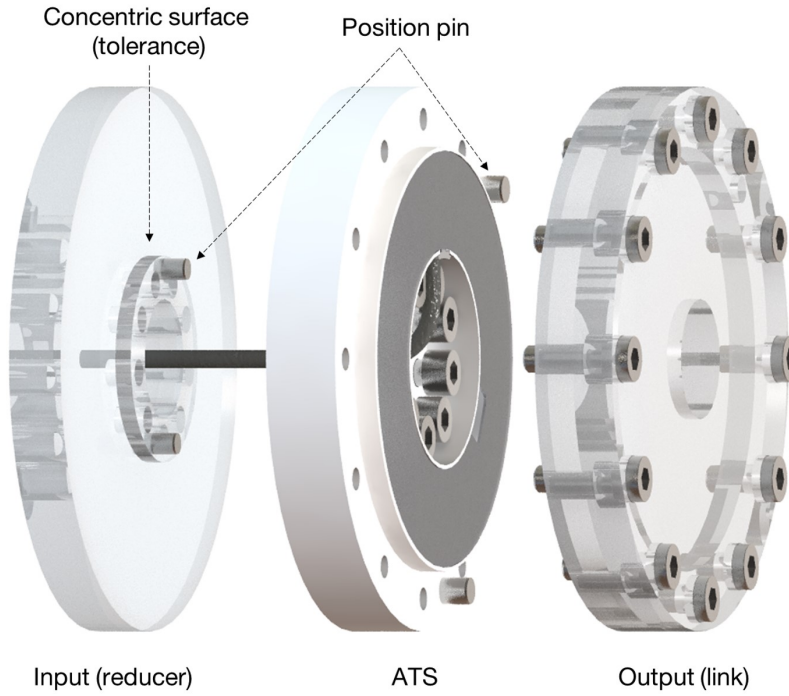
Index	Unit	Value			
		ATSB50	ATSB100	ATSB200	ATSB400
Operating voltage	VDC	5			
Max. safe excitation voltage	VDC	10			
Nominal torque range (T_N)	Nm	50	100	200	400
Overload (related to T_N)	%	300			
Resolution	Nm	0.03	0.05	0.1	0.2
Weight	g	120	190	210	310
Dimensions	mm	D84 x H14	D100 x H16	D100 x H18	D120 x H20
Sample rate	Hz	1,000			
Interfaces		CAN (2.0 A/B)			
Temperature		10-60 °C			
Connector		4 PIN VCC / GND / CAN_H / CAN_L			

Pin out



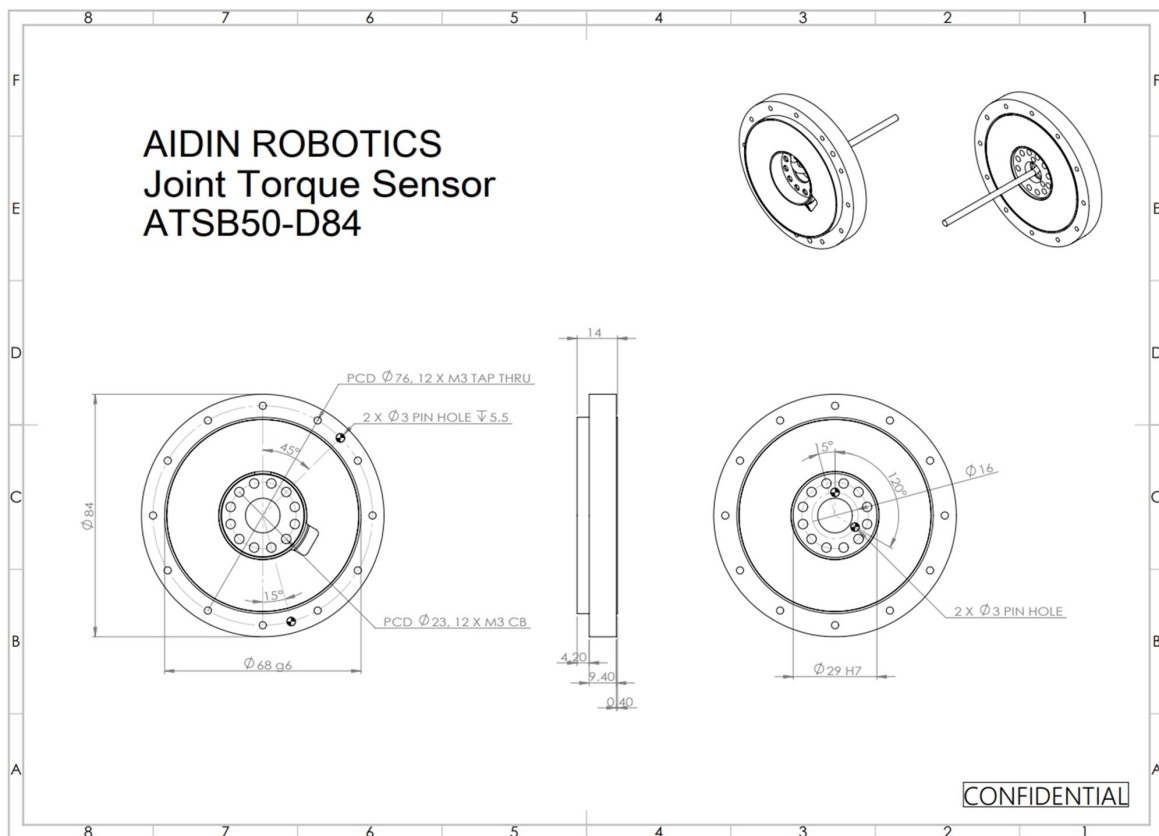
Pin	Signal	Color
1	Vin	Red
2	GND	Black-twisted
3	CAN_HIGH	White
4	CAN_LOW	Green

Bolting example

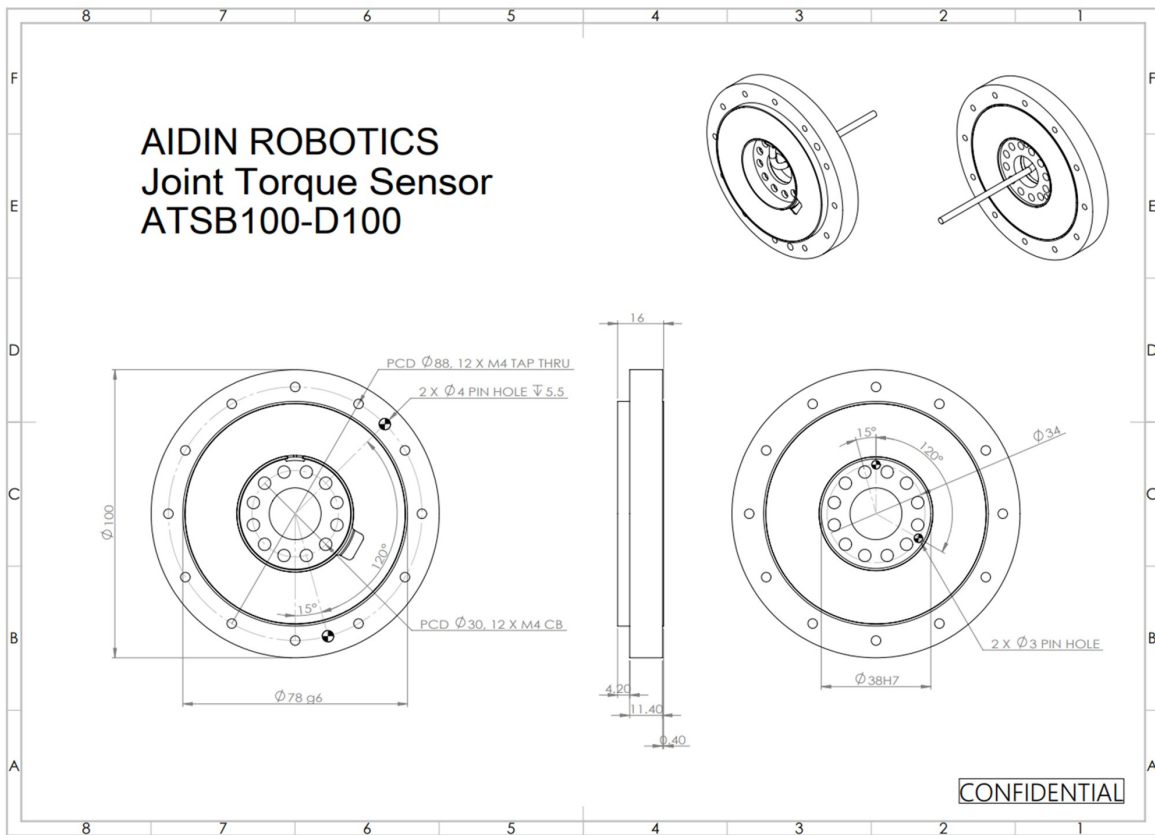


*Transparent parts are user part examples

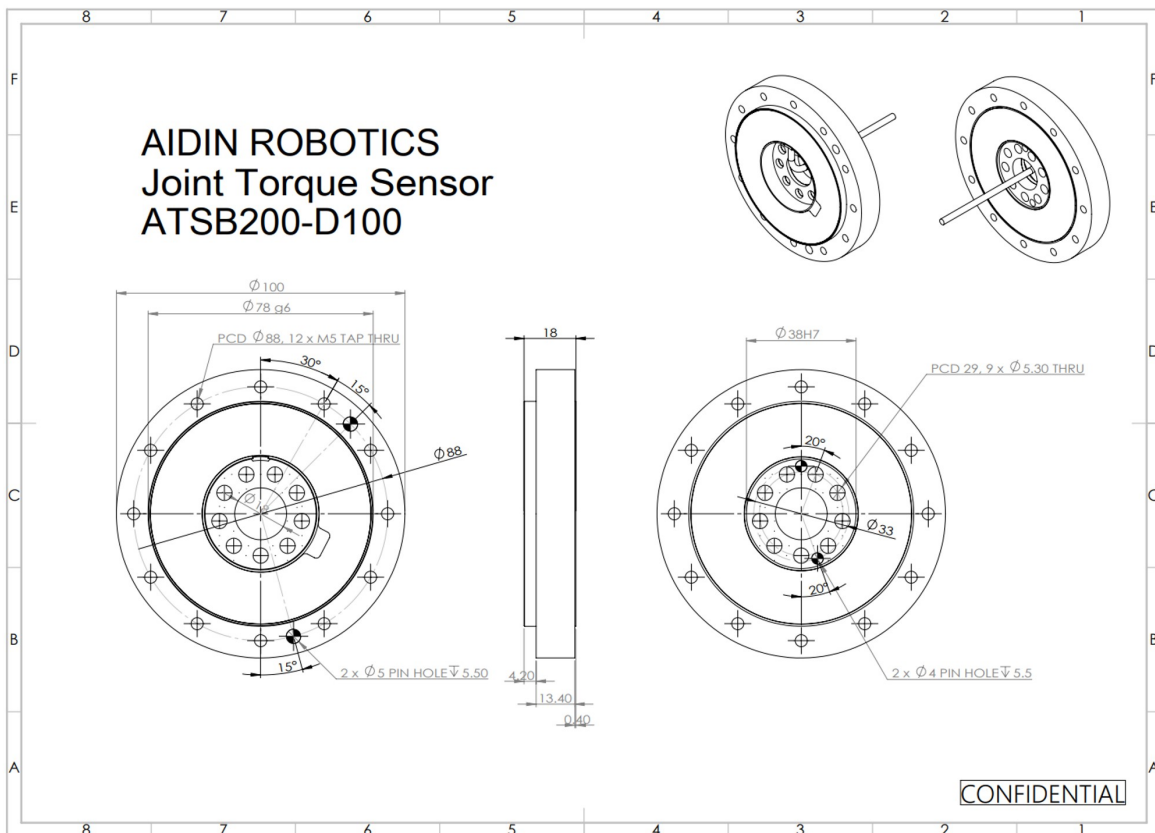
Drawing

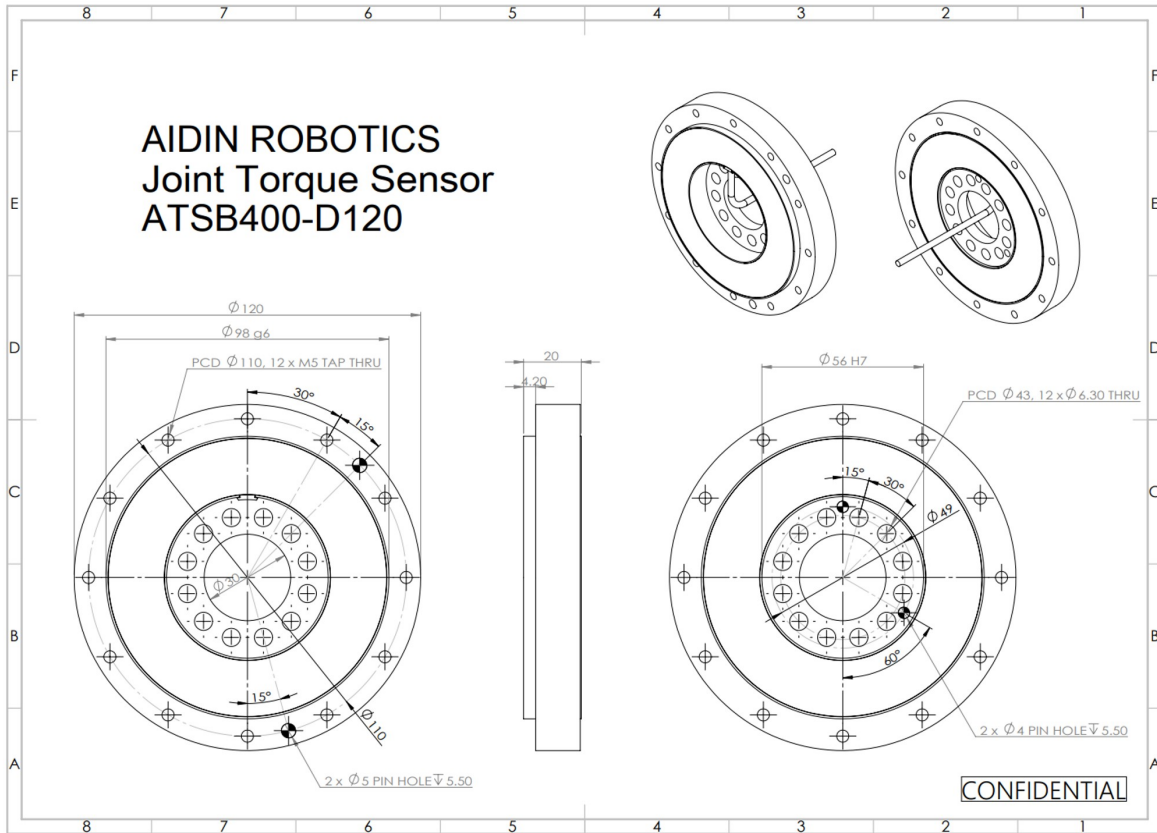


AIDIN ROBOTICS Joint Torque Sensor ATSB100-D100



AIDIN ROBOTICS Joint Torque Sensor ATSB200-D100





AIDIN ROBOTICS INC.

5F, 12-20, Simin-daero 327beon-gil, Dongan-gu, Anyang-si, Gyeonggi-do, South Korea (14055)

sales@aidinrobotics.co.kr | Tel: +82-31-360-7926