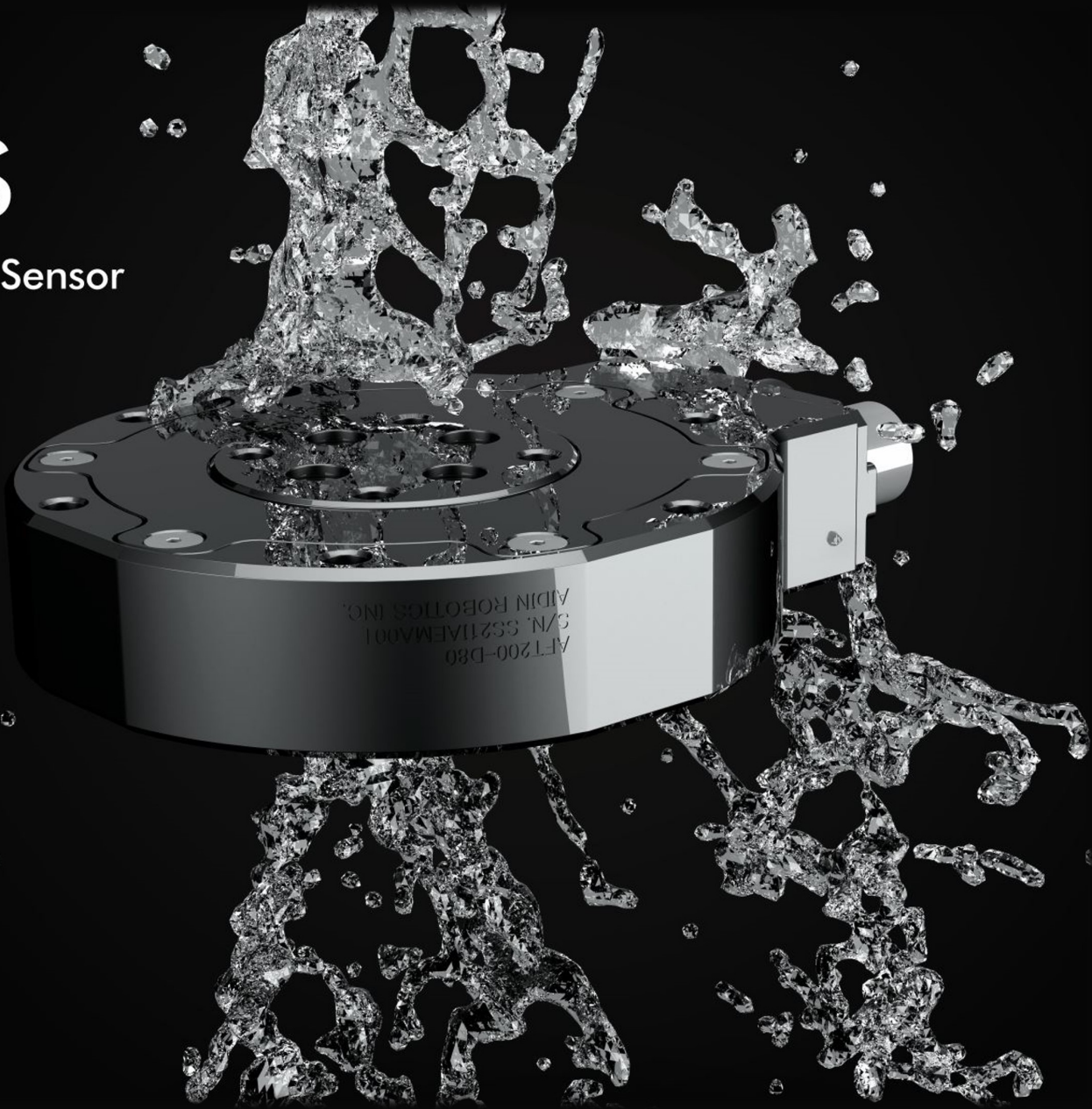


# AFT SERIES

Smart 6-Axis Force / Torque Sensor

## SERIES

Axis Force / Torque Sensor



# AFT200-D80-C, EC, EN

## 특장점

- 정전용량 측정 방식의 스마트 6축 힘/토크센서
- 올인원 센서로 별도의 증폭장치가 필요하지 않음
- 디지털 통신방식 지원 (CAN, EtherCAT, EtherNET)
- Inertial measurement unit (IMU) 통합
- 협동로봇, 산업용 로봇 및 장비, 자동화 기기 등에 연동



## 사양표

Index	Unit	Value		
		C(CAN)	EN(EtherNET)	EC(EtherCAT)
Operating voltage	VDC	5	12	12
Operating voltage	VDC	12	24	24
Nominal force range	N	200		
Nominal torque range	Nm	15		
Limit force ( $F_{xyz}$ )	N	300		
Limit torque	Nm	25		
Resolution ( $F_{XYZ}$ )	N	0.15		
Resolution ( $T_{XYZ}$ )	Nm	0.015		
Maximum Sample rate	Hz	1,000		
Dimensions	mm	D80 x H20.5		
Operating temperature		10-70 °C		
Interfaces		CAN, EtherCAT, EtherNET		
Connector		For User: CAN_H / CAN_L / VCC / GND ODU G40B0C-P10LCC9-0000		

\* Signal noise is defined as the standard deviation of typical on second no-load signal

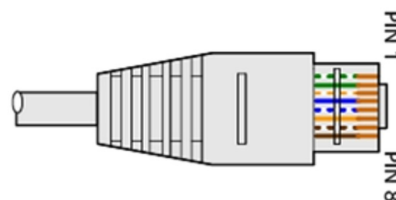
## Pin out (CAN)



- 1 – NC
- 2 – 5V
- 3 – GND
- 4 – NC
- 5 – CAN\_HIGH
- 6 – CAN\_LOW
- 7 – NC
- 8 – NC
- 9 – NC
- 10 – NC

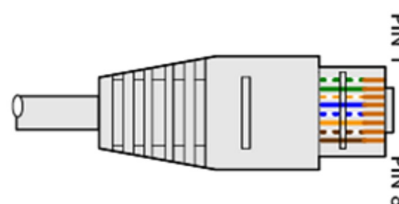
# AFT200-D80-C, EC, EN

## Pin out (EC)

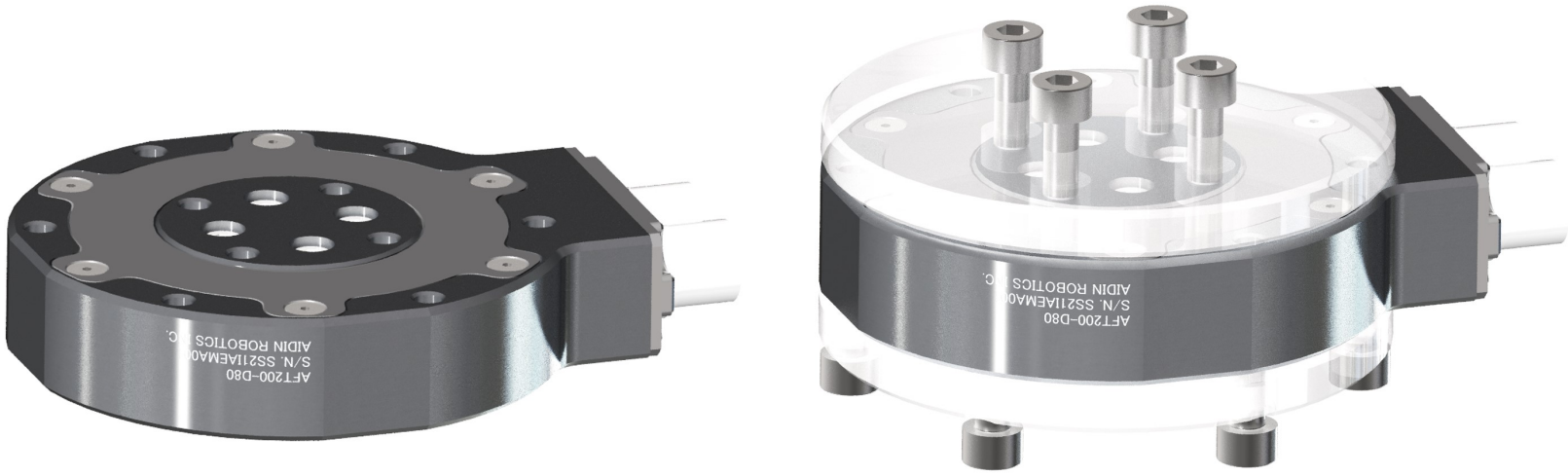


PIN	Wire	definition
PIN1	Green/White	Tx+
PIN2	Green	Tx-
PIN3	Orange/White	Rx+
PIN4	Blue	Vss+ (12-24V)
PIN5	Blue/White	
PIN6	Orange	Rx-
PIN7	Brown/White	
PIN8	Brown	Vss- (0V)

## Pin out (EN)

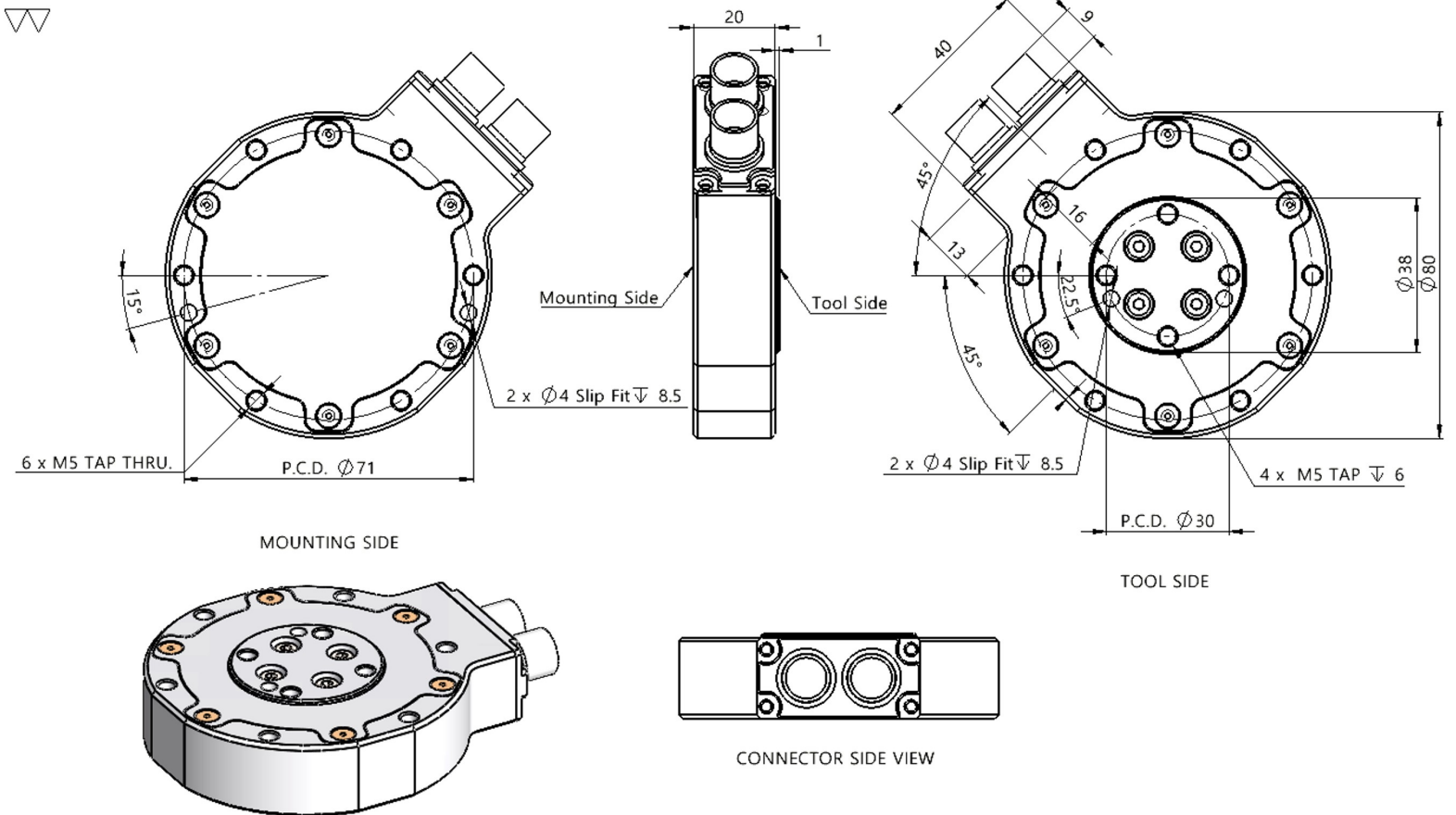


PIN	Wire	definition
PIN1	Green/White	Tx+
PIN2	Green	Tx-
PIN3	Orange/White	Rx+
PIN4	Blue	Vss+ (12-24V)
PIN5	Blue/White	
PIN6	Orange	Rx-
PIN7	Brown/White	
PIN8	Brown	Vss- (0V)



\*Transparent parts are user part examples

도면



(주) 에이딘로보틱스

경기도 안양시 동안구 시민대로 327번길 12-20, 5층

[Sales@aidinrobotics.co.kr](mailto:Sales@aidinrobotics.co.kr) | TEL: 031-360-7926